



## Tailor-made Wheelchair

111000006000	<b>7.995 €</b>		
111000006005 Available Soon	<b>8.995 €</b>		

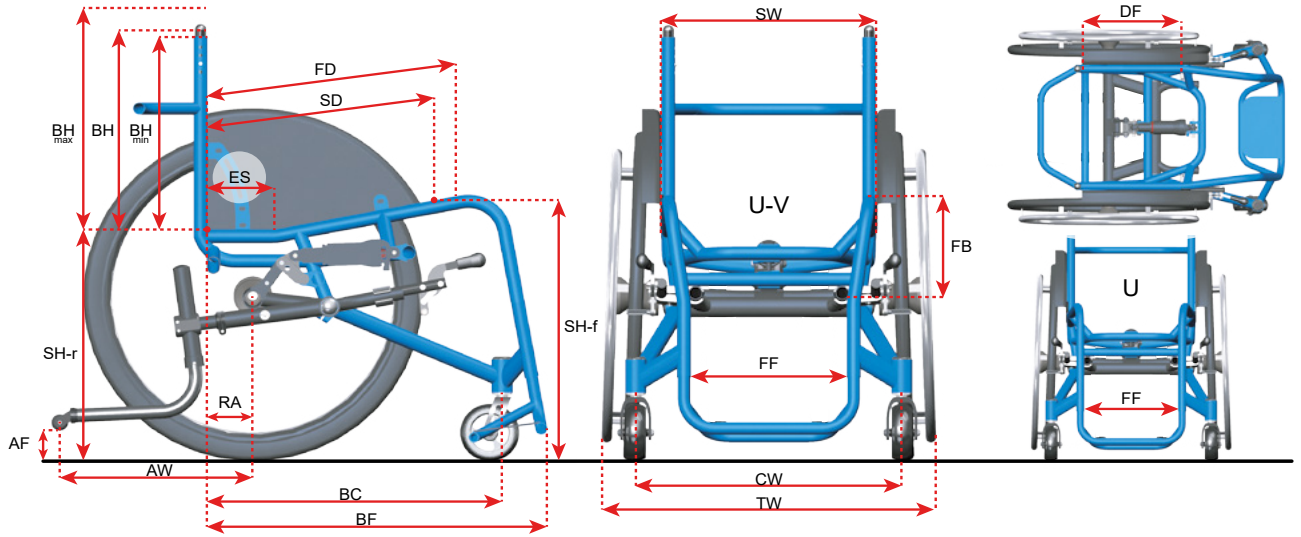
619000001009		
619000001109		
619000001209		
619000001309		
619000001409		
619000001509		
619000001609		
619000001709		
619000001809		
619000001909		
619000002009		
619000002109		
619000002509		
619000002609		
619000002809		
619000003309		
619000003409		
619000003509		
619000003609		

619000003009	<b>750 €</b>	
--------------	--------------	--

--	--	--

000000001102	<b>0 €</b>	
--------------	------------	--

--	--	--

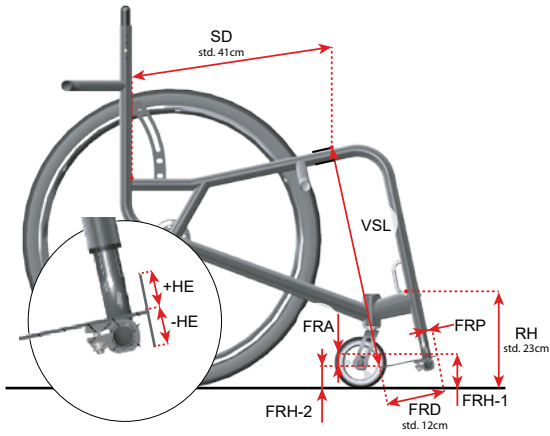


Fill in and send to Wolturnus - Ausfüllen und an Wolturnus senden - Udfyld og send til Wolturnus

Subject to Technical Modifications and Printing Errors / Technische Änderungen und Druckfehler vorbehalten  
Forbehold for tekniske ændringer og trykfejl

© Wolturnus A/S W5 Suspension Winter 2024 v2.0

	!		<b>SW:</b> _____ cm
	!		<b>FD:</b> _____ cm std. 44cm
			<b>SD:</b> _____ cm std. 41cm
616000??009	!		<b>SH-r</b> _____ cm std. 43cm
615000??009			<b>SH-f:</b> _____ cm std. 48cm
611500?0001			<b>C:</b> _____ ° std. 2°
8131000????			<b>BH:</b> _____ cm std. 35cm
81310005????	!		<b>BH-d:</b> _____ cm std. 38cm
			<b>BH-max:</b> _____ cm std. 41cm
			<b>BH-min:</b> _____ cm std. 35cm
611000??009	!		<b>RA:</b> _____ cm std. 8cm
61000001009	<b>0 €</b>		<b>ES:</b> _____ cm std. 12cm
610000??0001	<b>255 €</b>		
	!		<b>BF:</b> _____ cm std. 60cm
			<b>BC:</b> _____ cm std. BF-10cm
			<b>CW:</b> _____ cm FF+15cm / 4"
612000270009	!		<b>FF:</b> _____ cm
			<b>FB:</b> _____ cm
613000??0009			<b>FF:</b> _____ cm
			<b>DF:</b> _____ cm



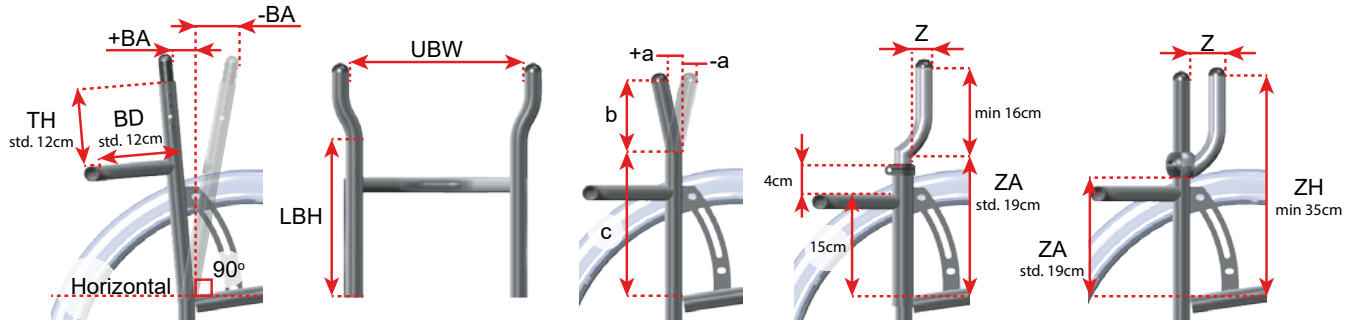
#5 Anti-tip



#6 Anti-tip E300

				VSL/USL: _____ cm
				FRA: _____ cm
				FRH-1: _____ cm
				FRH-2: _____ cm
8200FF001200	0 €			FRP std. 1cm
8200FF001600	141 €			FRD std. 12cm _____ cm
82??99000000	314 €			HE: std. +1cm up _____ ±cm
829999020004	382 €			
8299990000?9	0 €			FRD: std. 12cm _____ cm
8299990100?1	272 €			FRP: std. 0cm _____ cm
+829999012001	309 €			HE: std. +1cm up _____ ±cm
8299990100?5	225 €			
+829999012001	262 €			
829999020090	455 €			
835099210001	68 €			
691000010001	68 €			RH: std. 23cm _____ cm
825000000003	126 €			
840710001010	845 €			<b>FreeWheel</b> <sup>(tm)</sup> Wheelchair Attachment
	0 €			
88611010????	325 €			AF: std. 6-8cm _____ cm
8861101013?0	425 €			AW: std. 32-36cm _____ cm

--	--	--	--	--



813100050???	<b>0 €</b>			
813100051???	<b>366 €</b>			<b>BA:</b> _____ ±cm
813100053???	<b>498 €</b>			
<b>SW-s:</b> _____ cm				

81220020000?	<b>246 €</b>			<b>UBW:</b> _____ cm
				<b>LBH:</b> _____ cm

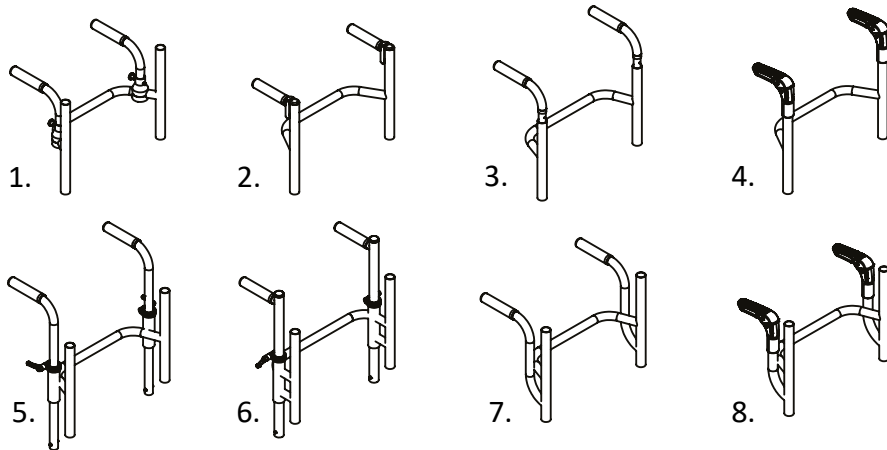
812200200020	<b>147 €</b>			<b>a:</b> _____ cm
				<b>b:</b> _____ cm
				<b>c:</b> _____ cm

				<b>BD:</b> _____ cm
				<b>TH:</b> _____ cm

-	<b>0 €</b>			
8122002001??	<b>560 €</b>			<b>!</b>
8122002001??	<b>723 €</b>			
82501000????	<b>560 €</b>			
8122002001??	<b>930 €</b>			<b>Z:</b> _____ cm
8122002001??	<b>930 €</b>			



--	--



81310005??09	<b>330 €</b>		1.	
81310005?106	<b>314 €</b>		2.	
81310005?206	<b>367 €</b>		3.	
81310005?108	<b>314 €</b>		4.	
81310005?208	<b>367 €</b>			
81310005?107	<b>183 €</b>			
81310005?207	<b>230 €</b>			

81310005??02	<b>524 €</b>		5.	
81310005??03	<b>524 €</b>		6.	
81310005??04	<b>367 €</b>		7.	
81310005??05	<b>576 €</b>		8.	

				PH: _____ cm
--	--	--	--	--------------

885110101001	<b>0 €</b>			
885110101003	<b>0 €</b>			
885110111001	<b>199 €</b>			





885110101101	<b>199 €</b>			
885110111101	<b>199 €</b>			

885110201209	<b>225 €</b>			
885110201300	<b>250 €</b>			

--	--	--	--	--

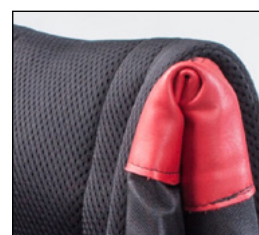
			
881000?0000 <b>340 €</b>			
88100010000? <b>0 €</b>			
88100040000? <b>300 €</b>			
8810005000?? <b>744 €</b>			
88100020000? <b>725 €</b>			
8810003000?? <b>800 €</b>			

681000010052 <b>70 €</b>		
		<b>GH:</b> _____ cm
		<b>GL:</b> _____ cm
		<b>MC:</b> _____ cm

7600000100?? <b>68 €</b> <b>63 €</b>				
76100000000? <b>162 €</b> <b>225 €</b>				
7711000007?? <b>110 €</b> <b>110 €</b> <b>110 €</b>				
771100000747 <b>110 €</b>				
953001040120 <b>110 €</b>				

--	--

			+0	1+	2+
			3+	4+	5+
761000000010	<b>245 €</b>				
710000000001	<b>0 €</b>				
710099990010	<b>440 €</b>				
710099990012	<b>470 €</b>				
710099990013	<b>470 €</b>				
710099990011	<b>470 €</b>				
710099990001	<b>0 €</b>				
710099990003	<b>185 €</b>				
710099990004	<b>185 €</b>				
710099990002	<b>185 €</b>				
710099990000	<b>0 €</b>				
750000009000	<b>265 €</b>				!
-	<b>0 €</b>				_____ cm / _____ cm
750000000005	<b>68 €</b>			5cm <b>Std.</b>	7cm
				Medium Std.	Hard
725029351009	<b>157 €</b>				





Wheel Setup			
Price	Size	Caster front wheel	Forks
Price	Size	Drive Wheel	Tires
Price	Size	Pushrims	Mouting distance

P.2	
P.3	
P.4	
P.5	
P.6	
P.7	



Fill in and send to Wolturnus - Udfyld og send til Wolturnus

Subject to Technical Modifications and Printing Errors / Technische Änderungen und Druckfehler vorbehalten  
Forbehold for tekniske ændringer og trykfejl

© Wolturnus A/S W5 Suspension Winter 2024 v2.0





