

| | |
|--|-----|
| | |
| | |
| | |
| | |
| | |
| | |
| | |
| | |
| | |
| | Kg. |
| | cm. |
| | |
| | |
| | |
| | |
| | |
| | |
| | |
| | |
| | |
| | |
| | |
| | |
| | |
| | |
| | |
| | |
| | |
| | |



PC & Macbook
<https://get.adobe.com/uk/reader/>

Tablet & iPad
<https://www.adobe.com/acrobat/mobile.html>

ENG 

DE  **Coming Soon**

FR 

DK  **Coming Soon**

| 321017501009 5.750 € | | |
|--------------------------------|--|--|
| 321017502009 6.250 € | | |
| 321017502009 6.250 € | | |
| 321017503009 6.650 € | | |
| | | |
| 619000001009 | | |
| 619000001109 | | |
| 619000001209 | | |
| 619000001309 | | |
| 619000001409 | | |
| 619000001509 | | |
| 619000002109 | | |
| 619000002509 | | |
| 619000002609 | | |
| 619000002809 | | |
| 619000003309 | | |
| 619000003409 | | |
| 619000003509 | | |
| 619000003609 | | |
| 619000003009 700 € | | |
| | | |
| 619000004009 450 € | | |

| | | | |
|--------------------------------|--|--|--|
| 954000001821 | | | |
| 954000001822 | | | |
| 954000030102 2.100 € | | | |
| 954099400069 800 € | | | |
| 889010000010 2.150 € | | | |
| 88901000001? 3.000 € | | | |
| 954099400069 800 € | | | |

| | 20" | 26" | 28" | 26" | 28" |
|---------------------|-----|-----|-----|-----|-----|
| 96622?010020 0 € | - | | - | | - |
| 96622?0100?? 0 € | - | | - | | - |
| 96622?2300?? 0 € | | | | | |
| 96622?220001 0 € | - | | | | |
| 96622?010020 0 € | | | - | | - |
| 8897000000?? | - | | | | |
| 889700000095 | | - | - | - | - |
| Custom: | | | | | |

| | | | | |
|-----------------------|---|--|--|--|
| 954000001802 0 € | | | | |
| 954000003270 240 € | ! | | | |
| incl. | | | | |

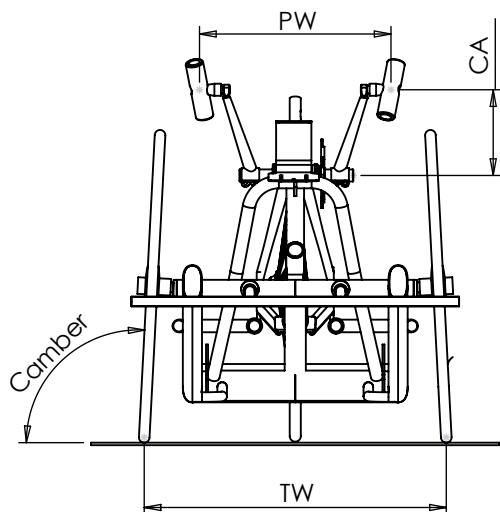
| | | | | |
|-------------------------|---|--|--|--|
| 954000030020 0 € | | | | |
| 954000002002 654 € | | | | |
| 954000002000 2.400 € | ! | | | |
| incl. | | | | |
| 954000002000 2.400 € | | | | |

| | | | |
|-----------------------|--|--|--|
| 954055120060 115 € | | | |
| 954055120060 115 € | | | |

| | | |
|------------------------------|--|---------------------|
| 889010000001 370 € | | |
| 889010000032 110 € | | |
| 760099991009 187 € | | |
| 889010000029 100 € | | |
| 889010000031 25 € | | |
| 889010000004 135 € | | |
| 889010000023 340 € | | |
| 889010000006 120 € | | |
| 889010000015 175 € | | |
| 750000000009 255 € | | |
| 889010000003 175 € | | |
| 889010000028 35 € | | |
| 954042000001 260 € | | |
| 889700000200 90 € | | |
| 889010001001 0 € | | |
| | | BL: _____ cm |

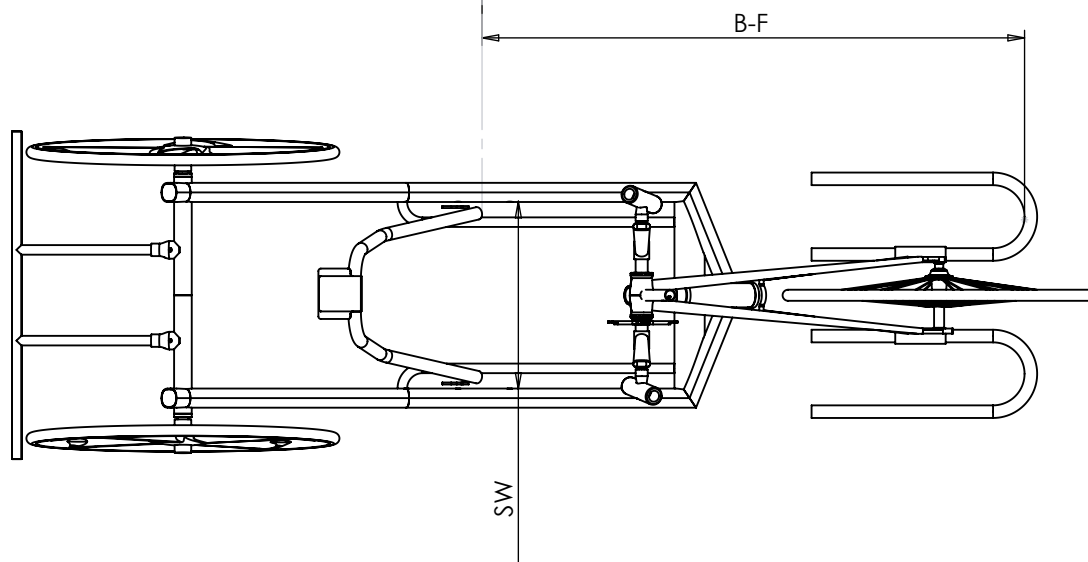
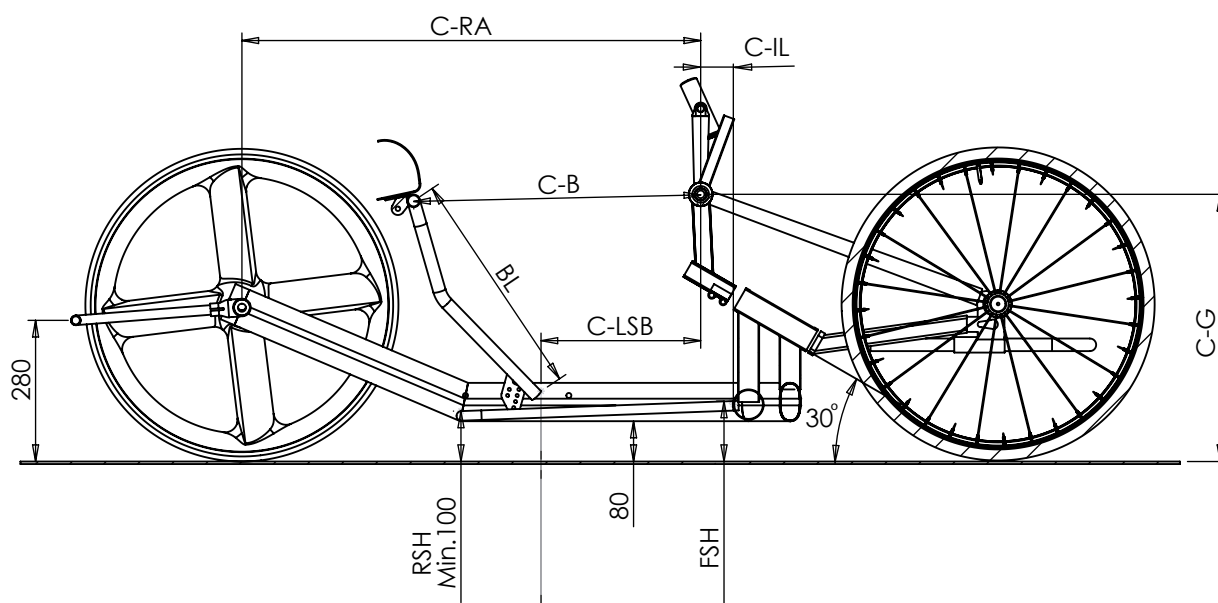


| | |
|--|--|
| | |
|--|--|



| | | |
|-------|--|----------|
| C-RA | | _____ cm |
| C-B | | _____ cm |
| C-LSB | | _____ cm |
| C-G | | _____ cm |
| RSH | | _____ cm |
| FSH | | _____ cm |
| B-F | | _____ cm |
| SW | | _____ cm |
| PW | | _____ cm |
| CA | | _____ cm |
| TW | | _____ cm |

| | | | |
|--|-------------------------|----|------------------|
| | 0° | 3° | 5° |
| | Std. Slacker 30° | | Steep 50° |



Notes & comments

