



## Tailor-made Race Wheelchair



351000001000 <b>5900 €</b>		
889700000035 <b>6311 €</b>		

619000002109		
619000002509		
619000002609		
619000002809		
619000003309		
619000003409		
619000003509		
619000003609		

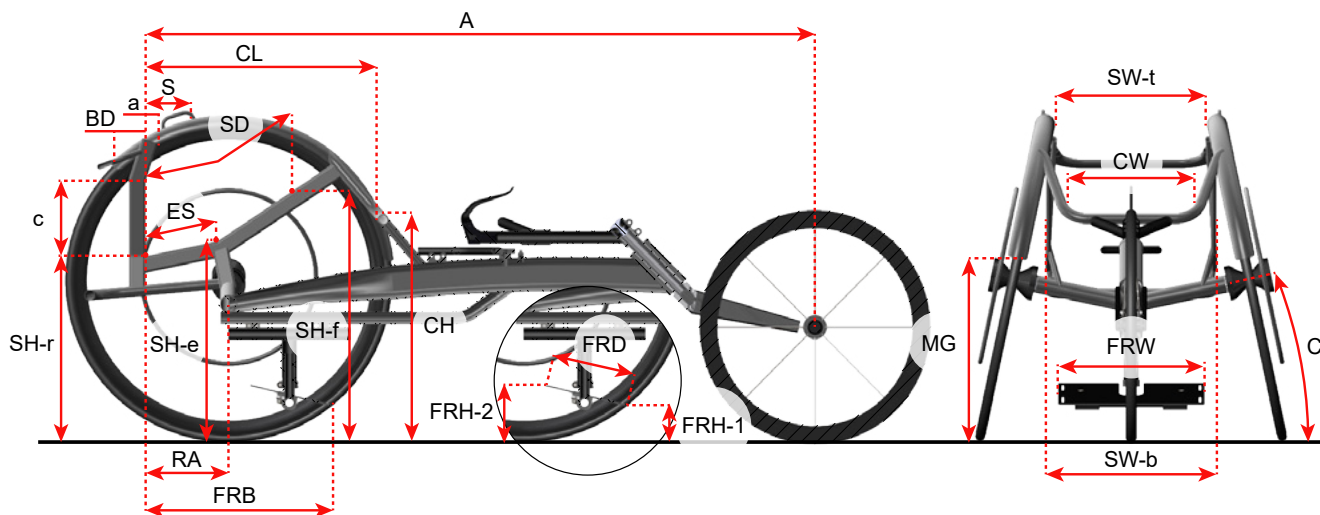
619000003009 <b>700 €</b>		
------------------------------	--	--

--	--	--

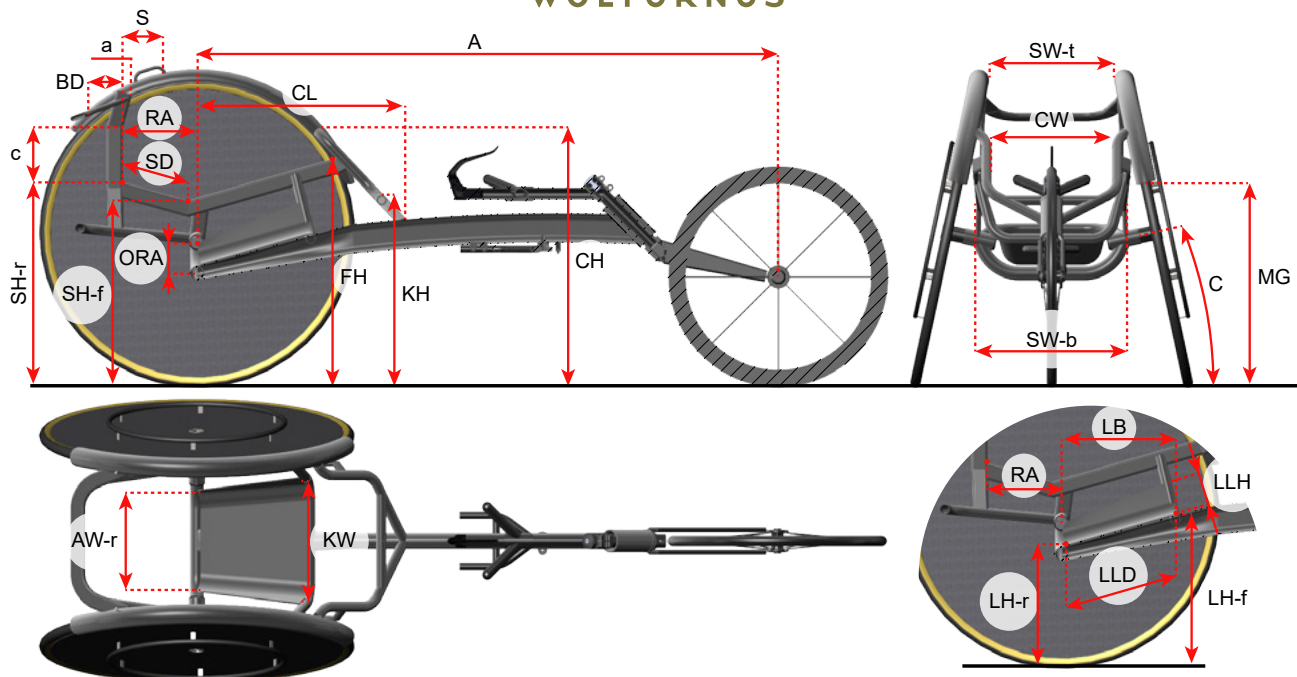
Fill in and mail to Woltornus - Udfyld og send til Woltornus

Technical modifications and printing errors reserved / Tekniske ændringer og trykfej/forbeholdt

© Woltornus A/S OF Amasis EN-DK 2023 V4.0



	!		SW-t: _____ cm SW-b: _____ cm
	!		A: _____ cm
	!		C: _____ °
	!		RA: _____ cm
	!		SD: _____ cm
	!		SH-r: _____ cm
	!		SH-f: _____ cm
	!		SH-e: _____ cm
			-
			ES: _____ cm
			CL: _____ cm
			CH: _____ cm
			CW: _____ cm
	!		S: _____ cm
	!		BD: _____ cm
			a: _____ cm
			b: _____ cm
954599990060 0 €			
829999020002 285 €			FRD: _____ cm
829919000060 1.075 €			FRW: _____ cm
829999012001 35 €			HE: _____ cm
	!		FRB: _____ cm
	!		FRH-1: _____ cm
	!		FRH-2: _____ cm
	!		MG: _____ cm



	!		SW-t: _____ cm SW-b: _____ cm
889700000004 112 €	! ! !		A: _____ cm C: _____ ° RA: _____ cm ORA: _____ cm
	! ! !		SD: _____ cm FH: _____ cm SH-r: _____ cm SH-f: _____ cm CL: _____ cm CH: _____ cm CW: _____ cm KH: _____ cm
	!		S: _____ cm BD: _____ cm a: _____ cm b: _____ cm
	!		LB: _____ cm KW: _____ cm AW: _____ cm LH-r: _____ cm LH-f: _____ cm LLD: _____ cm LLH: _____ cm
	!		MG: _____ cm

	<b>20"</b>	
966220018001 <b>0 €</b>		
889700000117 <b>700 €</b>		

	<b>26"</b>	<b>28"</b>	
9662282300?? <b>0 €</b>			
889700000081 <b>4223 €</b>			
889700000080 <b>4223 €</b>			
Custom:			

--	--	--	--	--

	<b>26"</b>	<b>28"</b>		
889700000081 <b>4223 €</b>				
889700000080 <b>4223 €</b>				

955000021000 <b>0 €</b>		
955000021001 <b>0 €</b>		
955000021002 <b>179 €</b>		
955000021003 <b>179 €</b>		
889700000040 <b>259 €</b>		
889700000049 <b>209 €</b>		

725000001009 <b>650 €</b>		
750000009000 <b>255 €</b>		
7670000000?? <b>165 €</b>		

--	--



